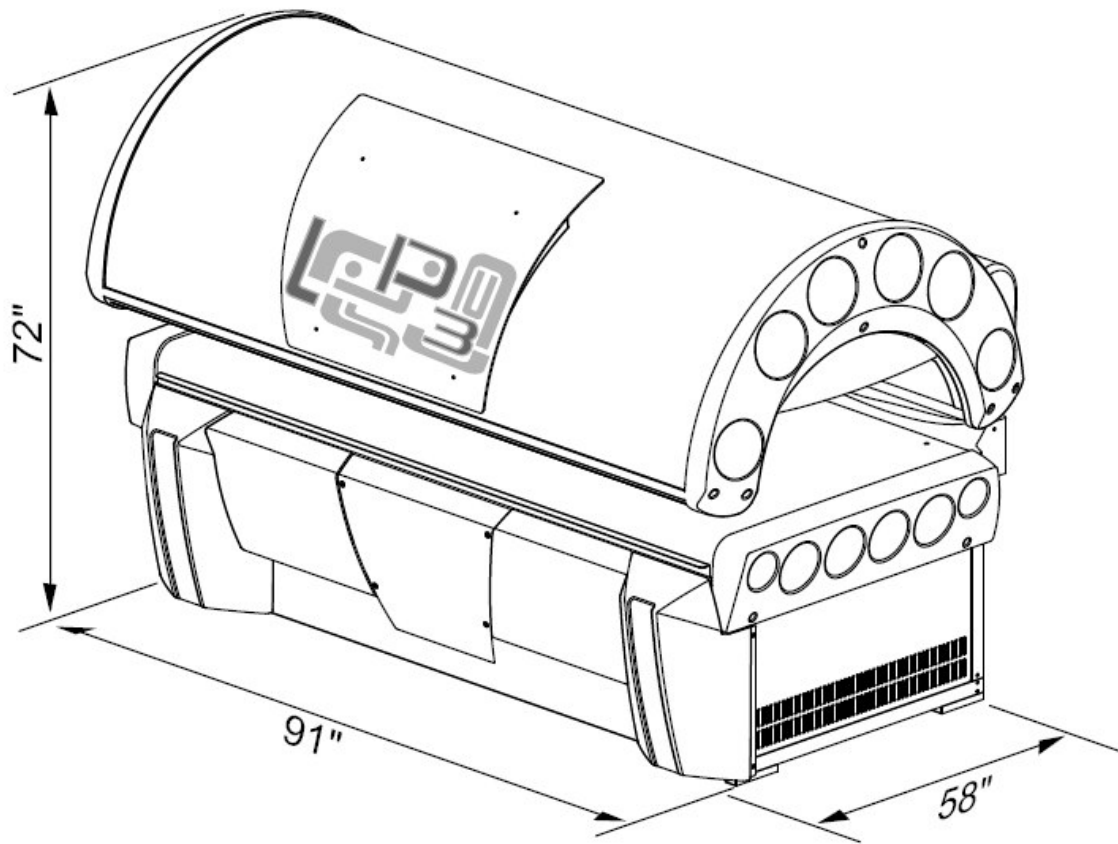


# LP3



## Dimensions

Bed dimensions LxWxH	91"x58"x72" inches
Bed dimensions LxWxH	7'7"x4'10"x6'1" feet
Bed dimensions LxWxH	232x147x183cm
Weight	1323lb
Minimum room size	8'10"x9'10" feet

## Lamps

Lamps in Canopy	26 Kalfasun B23-S White 160W
Lamps in bench	18 Kalfasun B23-S White 160W
Facial lamps	2 Kalfasun 630F
Facial lamps	2 Kalfasun 1530F

## Electrical specifications

Power supply	230V 3 phase	230V1 phase
Absorbed current	40A	65A
Absorbed power	14.2Kw	14.2Kw
Frequency	60Hz	60Hz
Wires size	7AWG	3AWG
Recommended circuit breaker	3x45A	2x80A
Number of wires required	4	3

## Additional Information

Exposure time	12 minutes
Volume of air expelled	1848 ft <sup>3</sup> /min
Exhaust air pipe	10 inches
Power output switch for facial zone	3 settings (including off)
Power output switch for body zone	2 settings (including off)
Canopy movement	Manual
System body ventilation	Variable
Electronic command board	MD
Audio System	Radio-mp3
Certification	ETL CE TUV